

SPECIFICATIONS

Material: Boot: Neoprene.

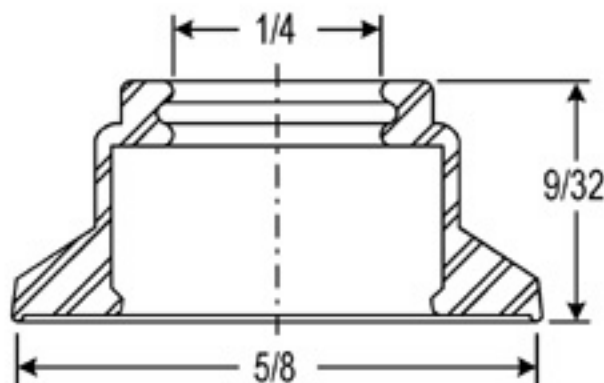
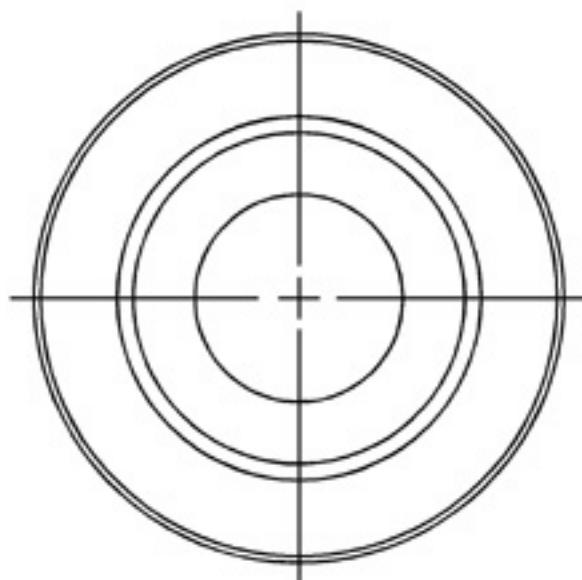
Color black (other materials and colors available on special order.)

Temperature Range: -65°F to +300°F

Shelf Life: 2 years.

Installation: A. Mount the switch using SNAPSEEL® shouldered mounting nut.

B. Press SNAPSEEL® over switch actuator and snap over nut.



NOTE: MOUNTING NUT NOT INCLUDED - PURCHASE SEPARATELY IF NEEDED.

A CAD COMPUTER GENERATED

9/23/02

REV. DESCRIPTION

DATE

MAXIMUM AND MINIMUM MEASUREMENTS ARE STATED DIRECTLY ON EACH DIMENSION.

TITLE: SNAPSEEL® FOR SUBMINIATURE ROTARY SHAFT (1312/7)

ENG.

DWN.

M.M.

10-8-86

CHKD.

MAT'L: NEOPRENE

APM-HEXSEAL CORPORATION

SCALE

4:1

DWG. NO

1312/7

FINISH: BLACK

THIS DRAWING COVERS PROPRIETARY ITEM AND IS THE PROPERTY OF THE APM-HEXSEAL CORPORATION. THIS DRAWING IS NOT TO BE COPIED OR USED WITHOUT THE WRITTEN APPROVAL OF AN OFFICER OF THE APM-HEXSEAL CORPORATION.